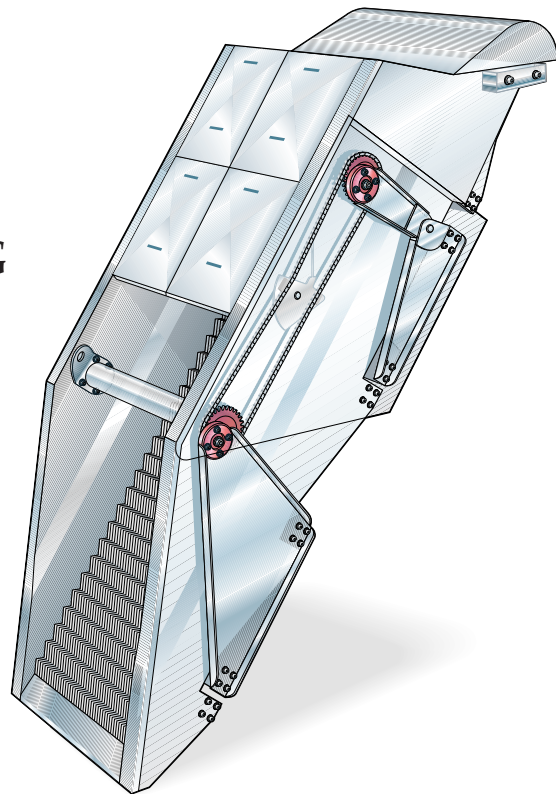


MEVA

RotoScreen

- THE MOST ROBUST DESIGN ON THE MARKET
- NEW BAR FASTENING DEVICE GIVES EXACT SPACE WIDTH
- TOTALLY ENCLOSED
- HIGH CAPACITY



MEVA Rotoscreen is a self-cleaning step screen for wastewater treatment plants and process industry, designed for separation of solid particles. The screen requires a very low head loss. This is an advantage for open channel installations.

MEVA Rotoscreen is especially designed for incoming channels in wastewater treatment plants where you wish separation in the degree of 1-6 mm space width.

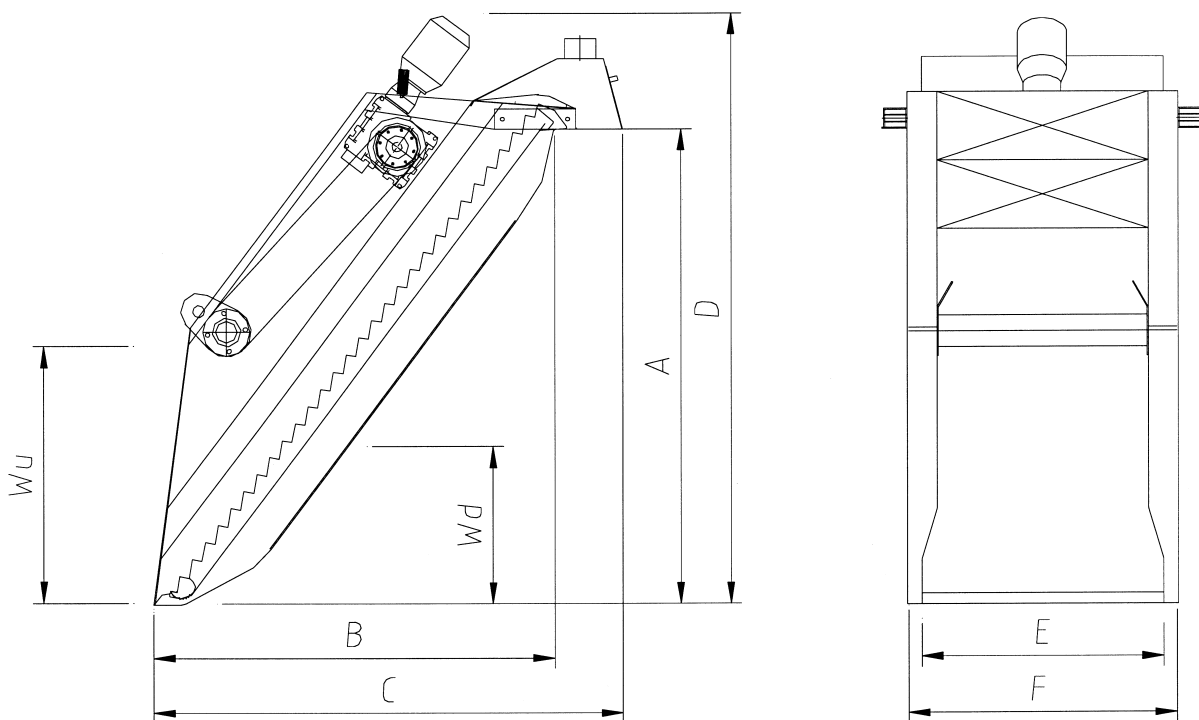
MEVA ROTOSCREEN RS

MEVA Rotoscreen has even during operation an exact space width. This is guaranteed by a robust bar fastening device and replaceable intermediate spacers. The screen has an automatic anti-blocking protection at the channel bottom. This grit flap makes the screen totally unaffected by sand, gravel, etc. The access for service and cleaning of the machine is excellent since it is possible to pivot the screen out of the channel without moving or dismantling following equipment, such as conveyor, press, etc.

Above-mentioned advantages together with very high hydraulic capacity and an extreme robust design makes MEVA Rotoscreen the best step screen on the market.

MEVA Rotoscreen is manufactured in different sizes, separable mostly by discharge heights. The sizes are available in different widths adjusted to channel width.

MEVA Rotoscreen is totally enclosed and equipped with evacuation pipe for ventilation. The screen is delivered in Electro polished stainless or acid-proof steel.



	Min	Max		Min	Max
Discharge height A (mm)	1000	4700	Effective width E (mm)	300	1800
Length to discharge B (mm)	1130	3740	Total width F (mm)	400	1900
Total length C (mm)	1440	4040			
Total height D (mm)	1450	5050			

Max water levels are depending on size

Automatic control:

Works intermittent. This means that the operation is regulated to the incoming flow. Before the screen, in the channel, a level control shall always be mounted. When the water level reaches the pre-set value the screen starts and runs for one removal cycle (approx. 5 s.) and then stops at its home position. When the water level rises again to the pre-set value the removal cycle reoccurs.